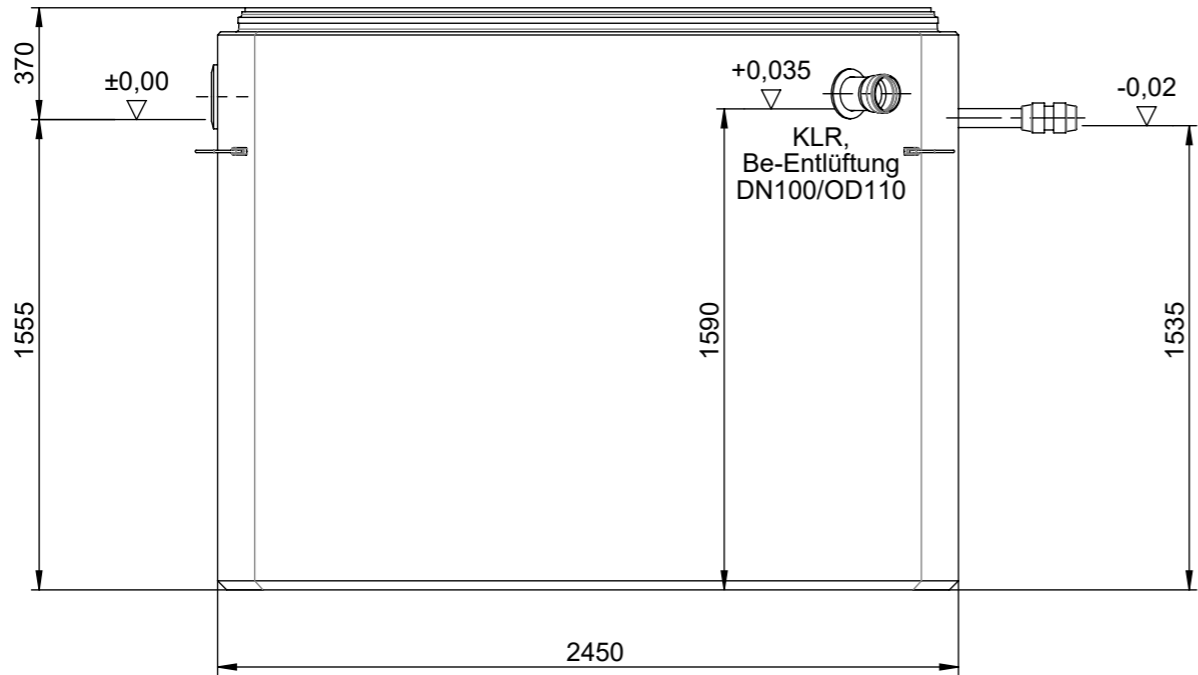
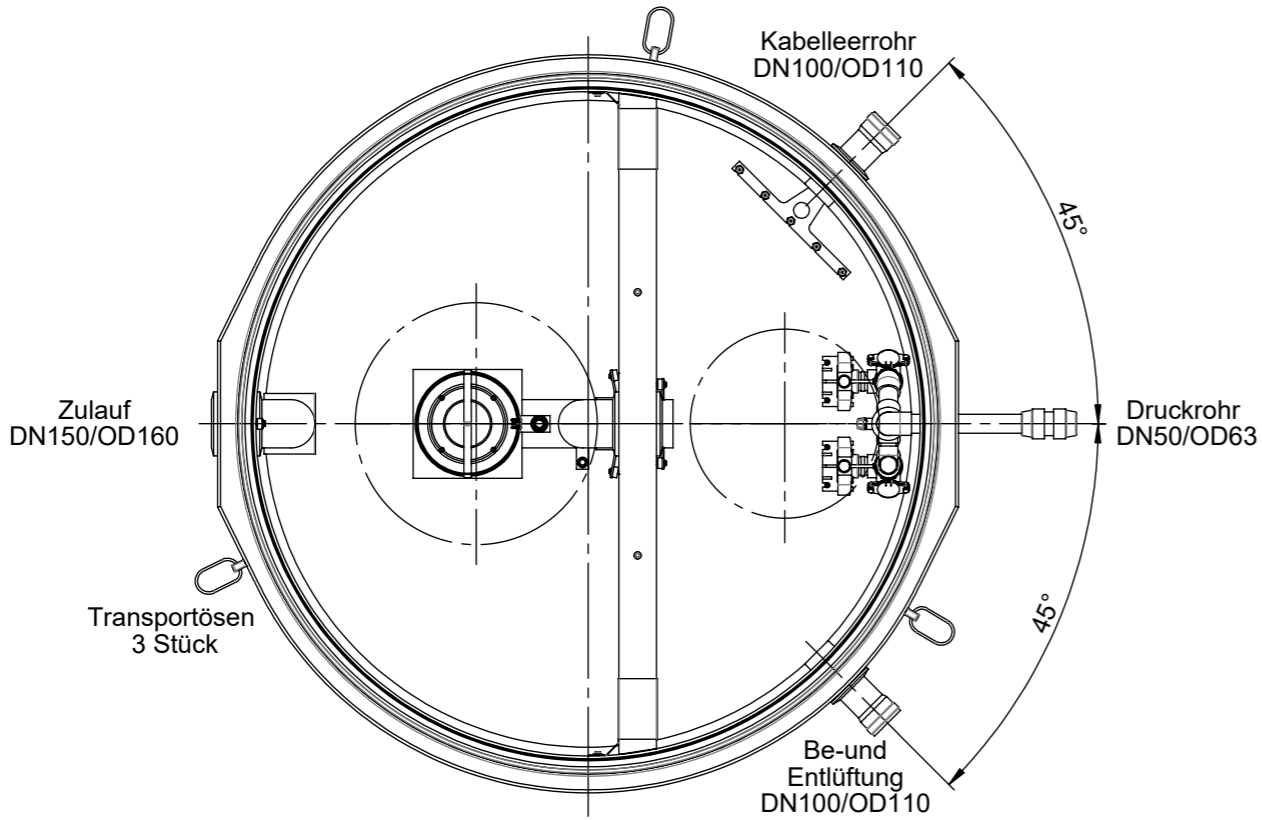
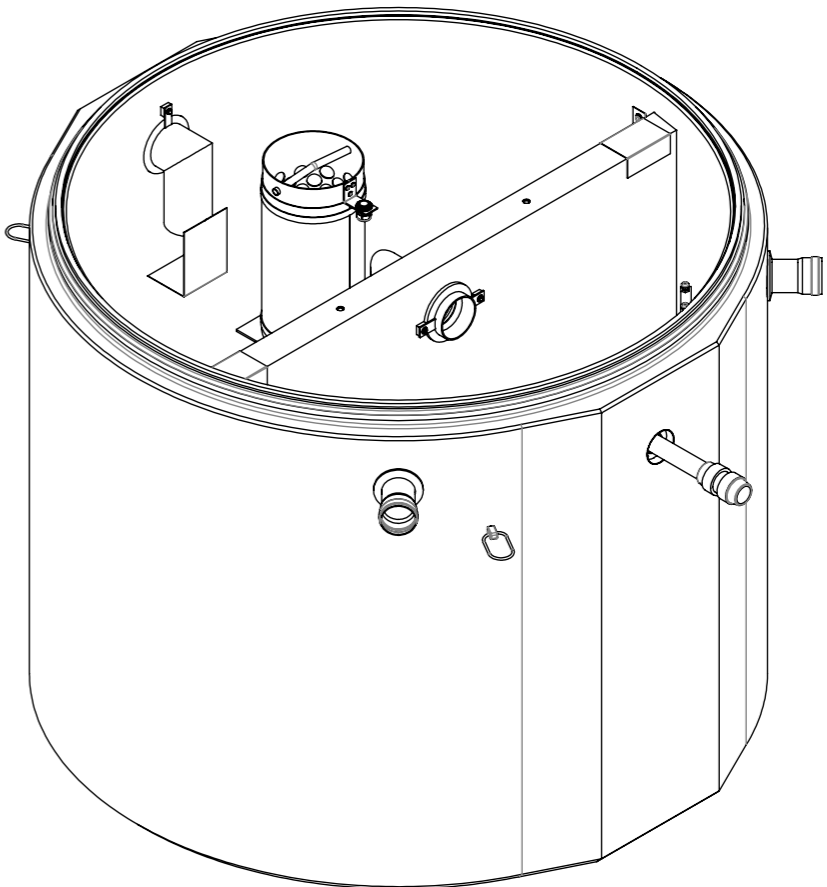


für größere Zulauftiefen
Schachtringe/ Auflageringe verwenden!

Kombination Art. Nr. 728037



Oleolift-C-OST 3-6/600 DL DN50
Art. Nr. 723274



ACO Tiefbau Vertrieb GmbH Mittelriedstr. 25 68642 Bürstadt www.aco.com	drawing-no.:	index:	documenttype:
	1094220	001	marketing drw.
created by:	reviewed by:	projection: ISO-E	scale:
			1:25
title: Oleolift-C-OST Oleolift-C-OST coated 3-6/600 DL DN50 723274+ 728037 Oleolift-C-OST beschichtet 3-6/600 DL DN50 723274+ 728037			release date:
The reproduction, distribution and utilization of this document as well as the communication of its contents to others without express authorization is prohibited. Offenders will be held liable for the payment of damages. All rights reserved in the event of the grant of a patent, utility model or design. Observe copyright by ISO 16016			sheet: 1/1